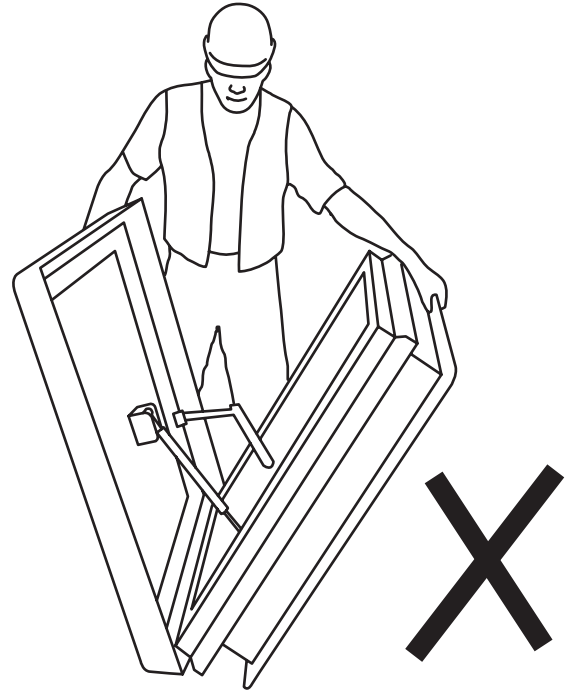
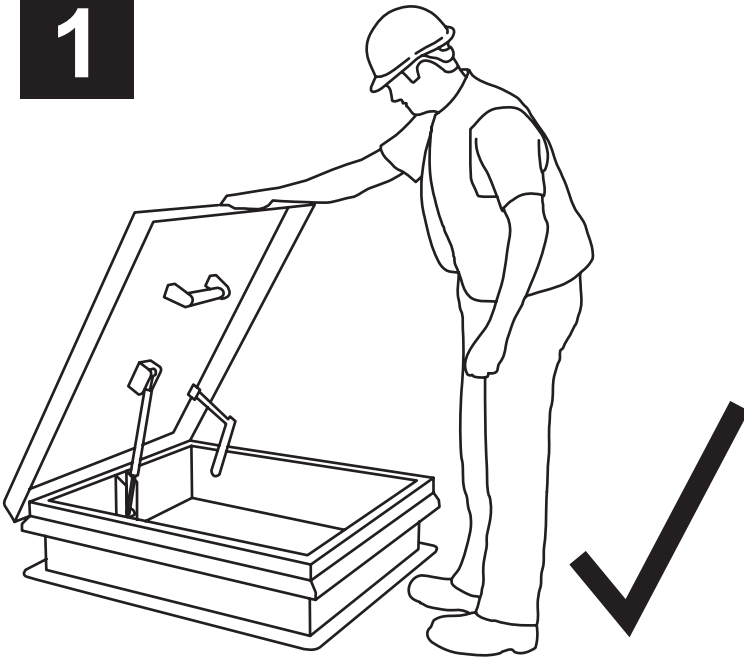




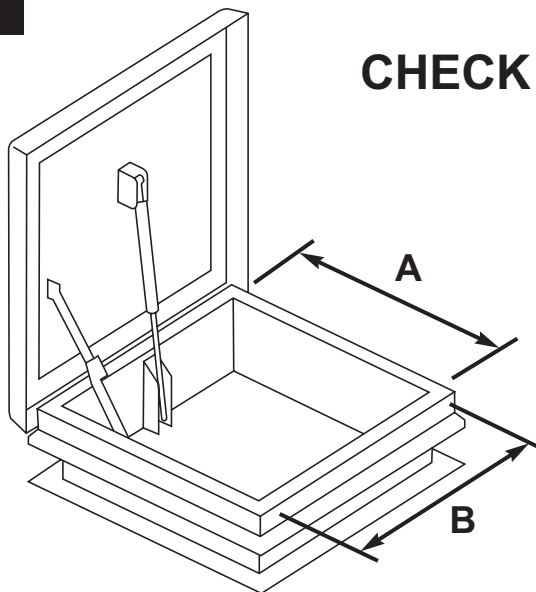
Handling/Fitting Instructions for SRH Roof Hatch

1

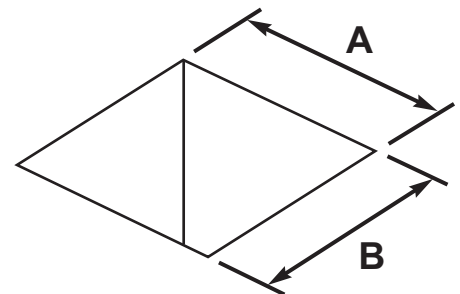


2

**CHECK CLEAR OPENINGS
MATCH**



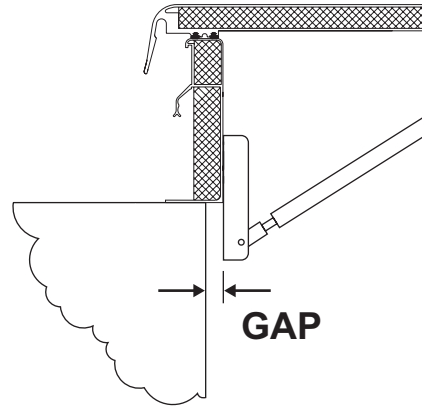
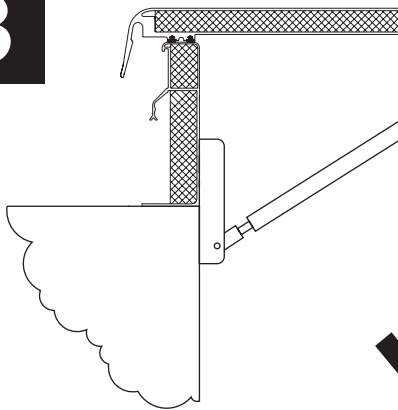
=





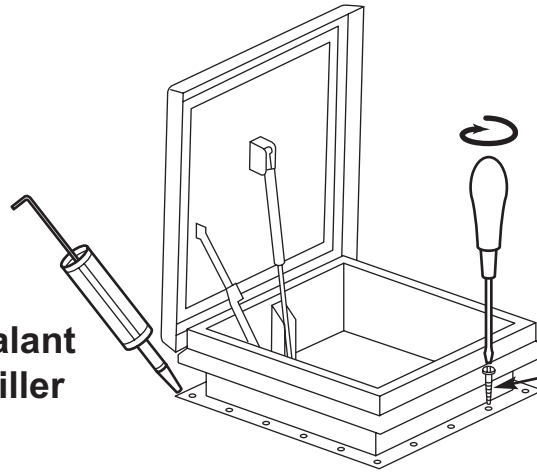
SURESPAN

3



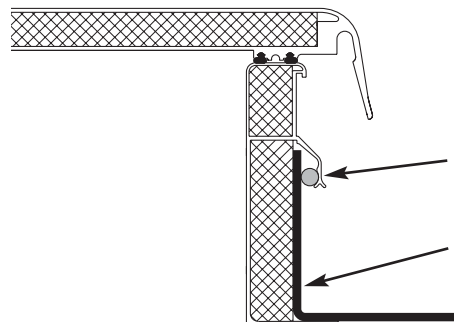
4

Mastic Gun for Sealant
or Fire Resistant Filler



8mm Screws or
8mm Anchors for
Fire Rated Hatches

5



Gap Filler Bead

Roof Membrane

For further information contact:

Surespan Limited

Leamore Close

Leamore Enterprise Park

Walsall

West Midlands

WS2 7NL

Tel: +44 (0)1922 711185

Fax: +44 (0)1922 497943

Email: sales@surespancovers.com



SURESPAN