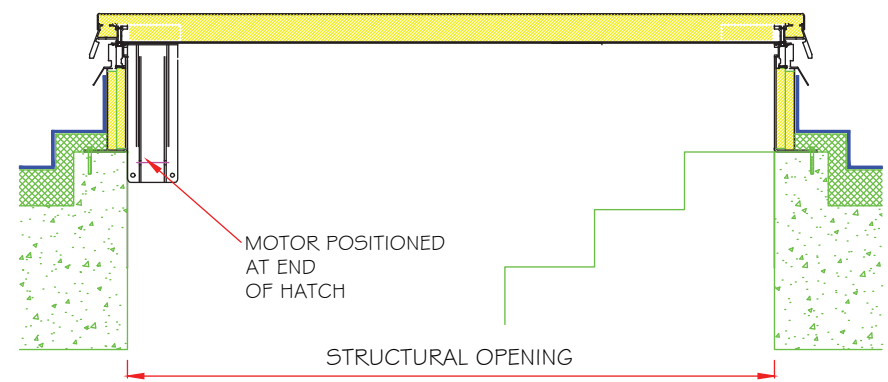
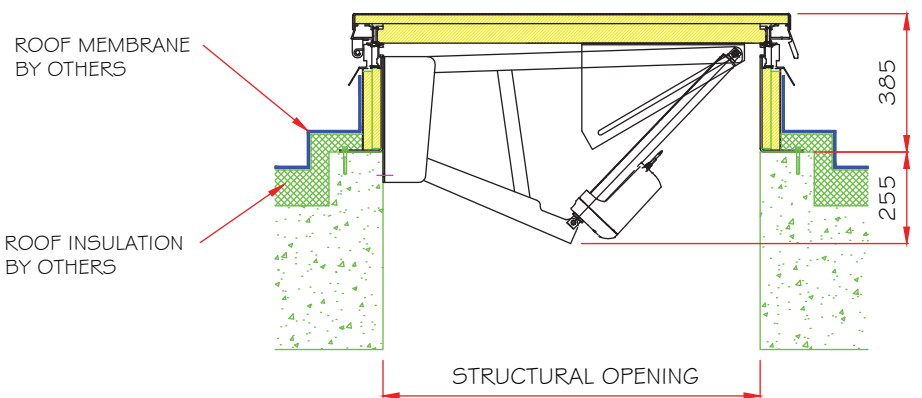
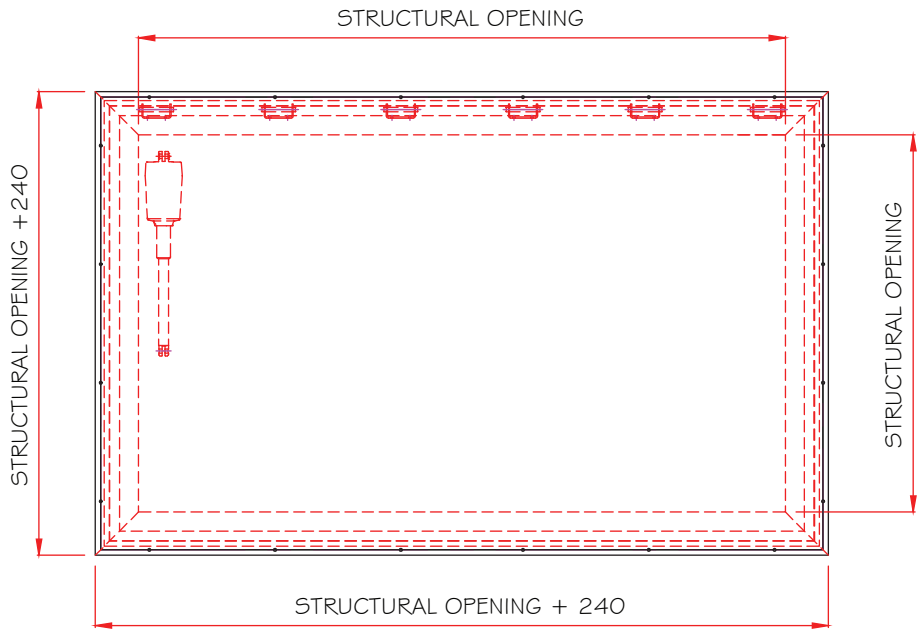
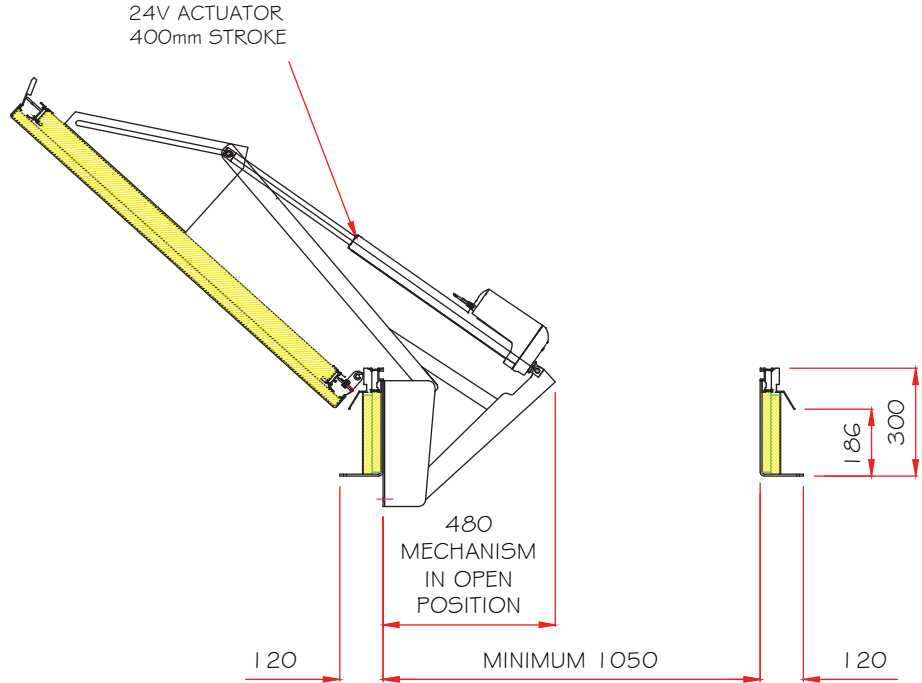


CONFIDENTIAL

INDEX	ITEM NO	ED	AMENDMENT	DATE	SIGN



Copyright is claimed in this drawing and no copy may be made without prior written permission	The article shown is also the subject of	
	patent rights	✓
	registered design right	✓
	unregistered rights	✓
	The drawing is a design document	✓
	patent pending	✓

WIND RESTRAINTS SHOULD BE SPECIFIED ON ALL ACCESS HATCHES SUBJECT TO HIGH WIND CONDITIONS

THIS IS A ELECTRICALLY OPERATED ACCESS HATCH/COVER AND IT IS ESSENTIAL THAT SAFE MEANS OF ACCESS IS PROVIDED FOR THE OPERATOR

SRHE/AOV | 40°
U-VALUE 0.43 W/M²K
FINISH: T.B.C.
I-OFF
APPROX COVER WEIGHT: T.B.C.

ITEM NO	NO OFF	DRG NO.	ITEM MASS	DENOMINATION	MATERIAL	REMARKS
				140 DEGREE SRH		
				CONTRACT NO.	DRAWING NO.	REV No
				SO	****	
				DRAWN BY	DATE	REVISION
				CY	15.10.14	



DRAWING MADE BY CAD
MANUAL CHANGES PROHIBITED