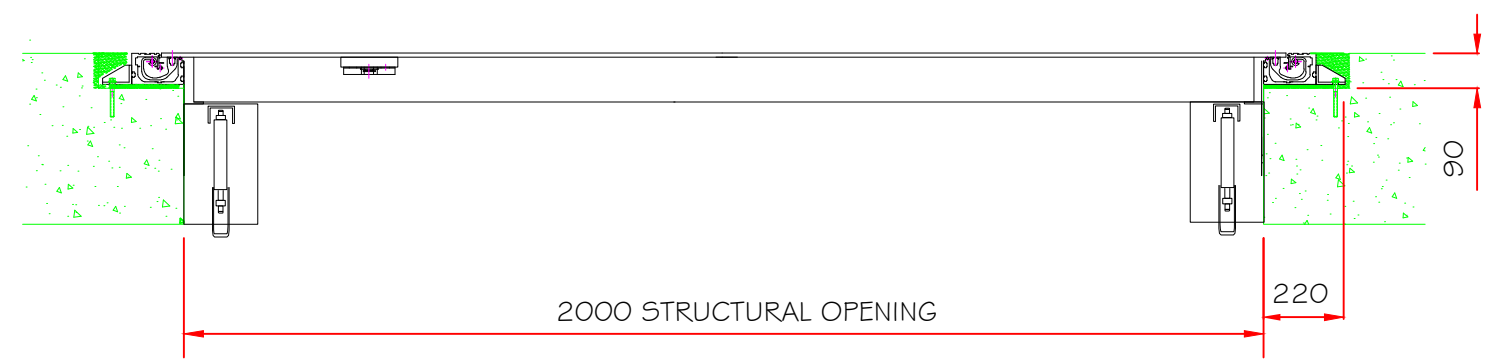
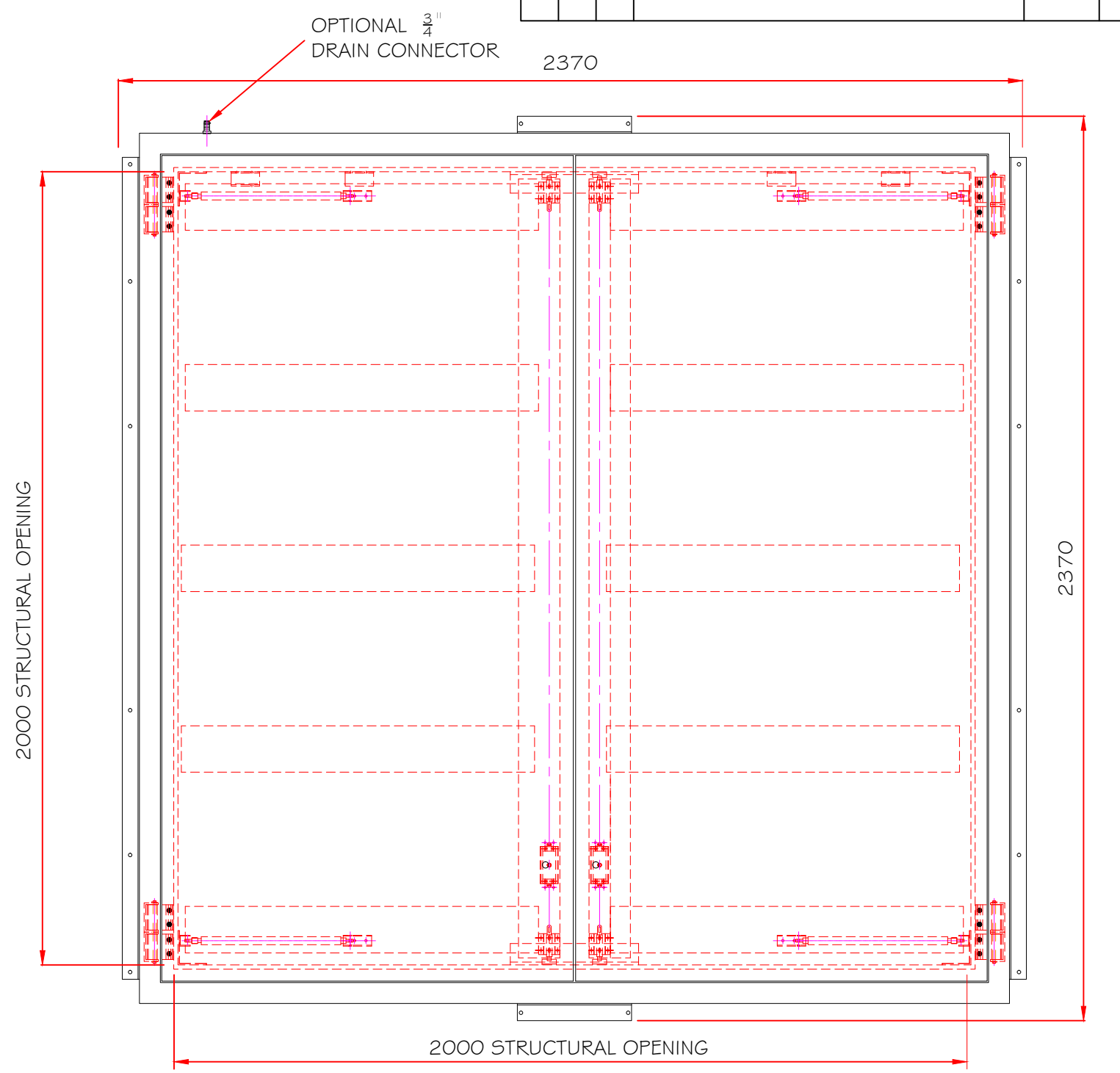
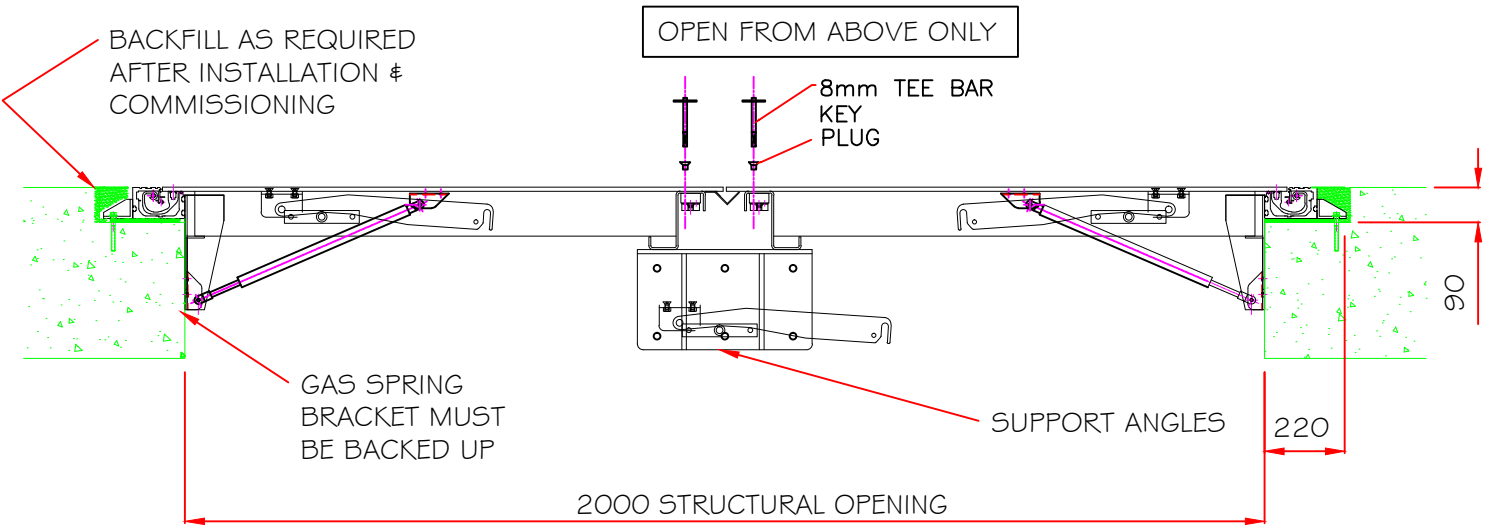


SAC.DL.200.200  
 MAT'L - ALUMINIUM  
 LOADING: FACTA CLASS A - E Available  
 INTERNAL FINISH: TBC  
 EXTERNAL FINISH: TBC



Copyright is claimed in this drawing and no copy may be made without prior written permission

The article shown is also the subject of	
patent rights	✓
registered design right	✓
unregistered rights	✓
The drawing is a design document	✓
patent pending	✓

WIND RESTRAINTS SHOULD BE SPECIFIED ON ALL ACCESS HATCHES SUBJECT TO HIGH WIND CONDITIONS

THIS IS A MANUALLY OPERATED ACCESS HATCH/COVER AND IT IS ESSENTIAL THAT SAFE MEANS OF ACCESS IS PROVIDED FOR THE OPERATOR

ITEM NO	NO OFF	DRG NO.	ITEM MASS	DENOMINATION	MATERIAL	REMARKS
Existing law protects SURESPAN'S right of possession to this drawing. The design or the drawing must not, without permission of the company, be published, copied, reproduced, manufactured or exploited in any other unauthorized way.				SAC DOUBLE LEAF 2000 X 2000		
					DRAWN BY	
				CONTRACT NO.	DRAWING NO.	REV No

DRAWING MADE BY CAD  
 MANUAL CHANGES PROHIBITED