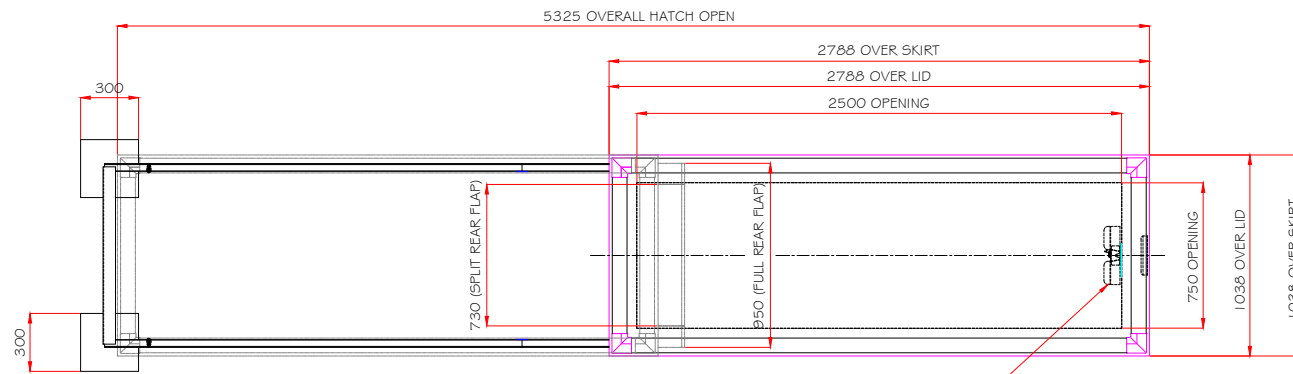
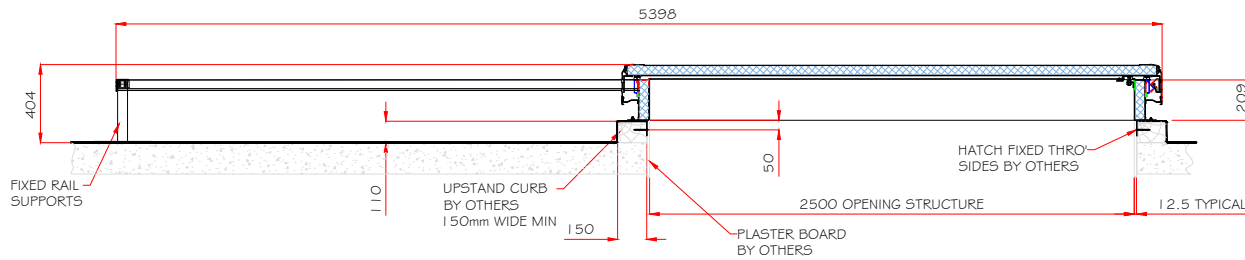
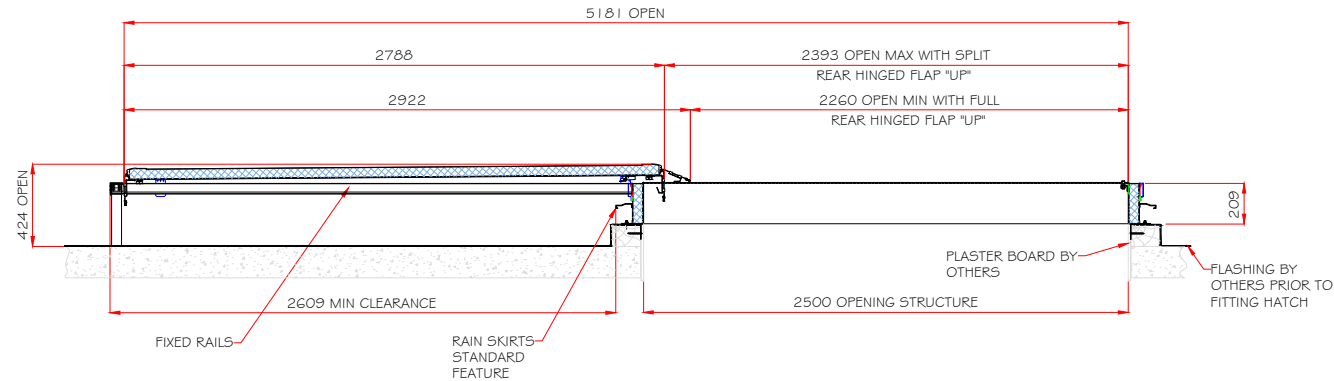


CONFIDENTIAL

DIMENSIONS IN mm UNLESS OTHERWISE SPECIFIED - IF IN DOUBT ASK

INDEX	ITEM NO.	ED	AMENDMENT	DATE	SIGN.



SLHP 750 x 2500 FIXED RAIL HATCH
 MAT'L - ALUMINIUM / THERMAL BREAK
 APPROX TOTAL WEIGHT = 150 KG

THE INTERFACE OF THIS ACCESS HATCH WITH THE ROOFING STRUCTURE, WEATHERING AND WITH ANY OTHER RELATED INTERFACE SUCH AS LADDERS, STAIRWAYS ETC IS OUTSIDE THE RESPONSIBILITY OF SURESPAN. IF IN DOUBT PLEASE SEEK CLARIFICATIONS

Copyright is claimed in this drawing and no copy may be made without prior written permission	The article shown is also the subject of	
	patent rights	✓
	registered design right	✓
	unregistered rights	✓
	The drawing is a design document	✓
	patent pending	✓

THIS IS A MANUALLY OPERATED ACCESS HATCH/COVER AND IT IS ESSENTIAL THAT SAFE MEANS OF ACCESS IS PROVIDED FOR THE OPERATOR

DRAWING MADE BY CAD
 MANUAL CHANGES PROHIBITED

ITEM NO.	NO. OF	DRG. NO.	ITEM MASS	DENOMINATION	MATERIAL	REMARKS
Existing law protects SURESPAN'S right of possession to this drawing. The design or the drawing must not, without permission of the company, be published, copied, reproduced, manufactured or exploited in any other unauthorized way.				SLH/TB SLIDING HATCH FIXED RAIL 750 x 2500 OPENING MANUALLY OPERATED		
				CONTRACT NO.	DRAWING NO.	REV No.