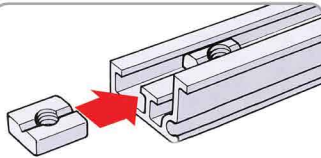
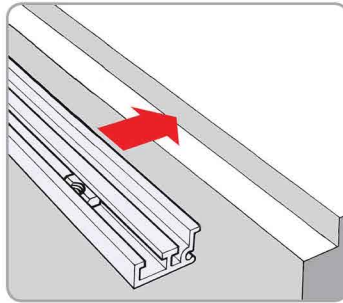


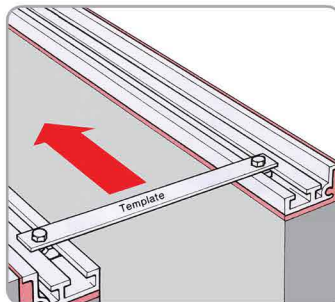
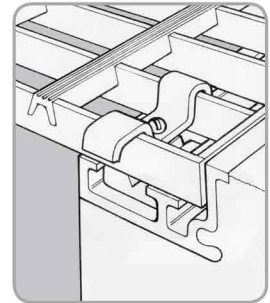
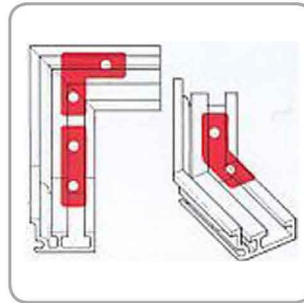
FLOOR DUCTING INSTALLATION



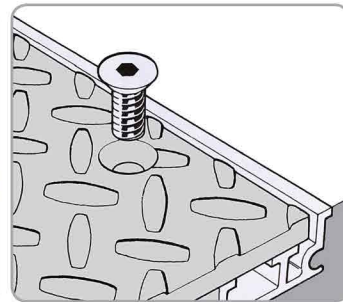
1. Slide retaining lugs and special nut sections into curbing.



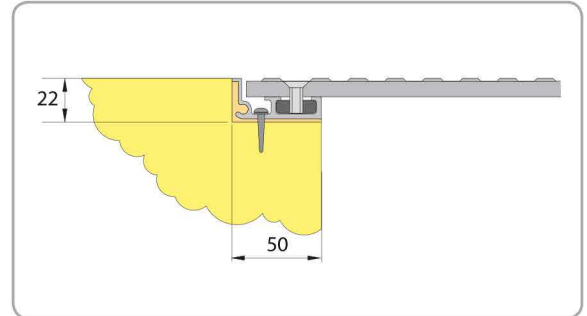
2. Offer curbing to rebate.



3. Check alignment with template as shown and grout complete curbing assembly in position.



4. Position flooring plates, align nuts with predrilled flooring plates and bolt flooring down.



Illustrated are standard 90°, 180° and 135° corner joints. Special inserts are available at any angle to connect two lengths of curbing as required - the curbing is simply mitred and fitted together. Special clips for individual situations can be supplied for a variety of purposes.