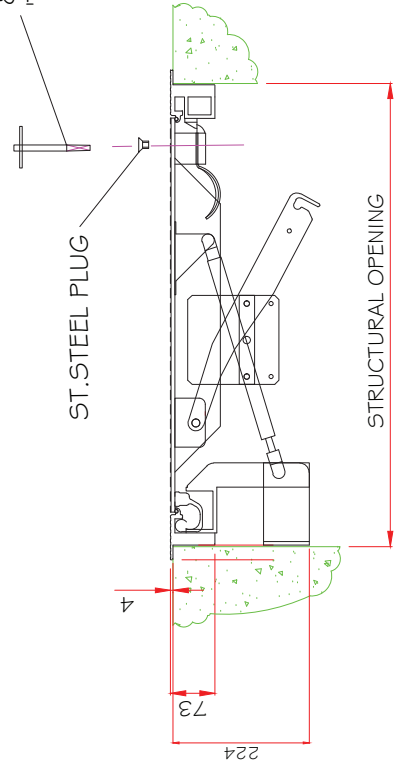



8mm SQ KEY 'T' BAR

DRILL THRU' FRAME & FIX TO STRUCTURE. FIXING BY OTHERS.



ITEM NO.	QTY	DRG NO.	ITEM MASS	DENOMINATION	MATERIAL	REMARKS
TYPICAL IAC						
DRAWING NO. T5						
DRAWN BY						
DRAWN DATE						
CONTRACT NO. TYPAC						
DRAWING NO. TYPAC						
REV						



Existing law products SURESPAN's right of way must be maintained. No part of this drawing may be reproduced, stored in a retrieval system, or transmitted in any form or by any means, without the prior written permission of SURESPAN. All rights reserved.