

FGL FIXED GLAZED ROOF LIGHT
FGL Overview

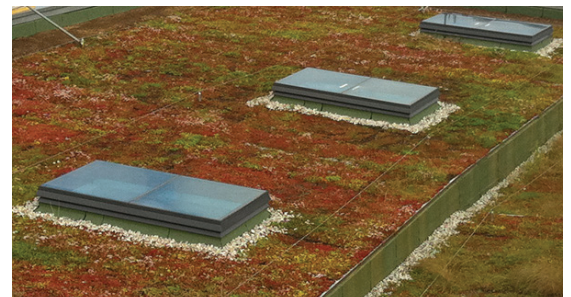
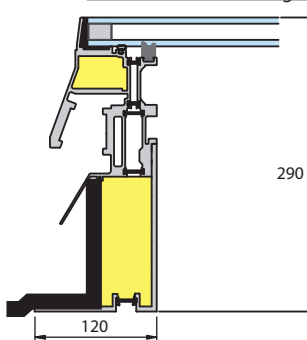
Surespan SRHGE Glazed Roof Hatches are manufactured using thermally broken extruded sections as standard, offering clients excellent energy conservation properties and substantially reducing internal condensation or frost formation.

Surespan glazed roof access hatches incorporate a frameless design eliminating water ponding. The low profile frame with triple seals is structurally bonded to the 35.5mm sealed double glazed unit, comprising Pilkington 6mm toughened K polished all round outer pane, 20mm Warm Edge silver spacer Bar argon filled, Pilkington 9.5mm toughened & laminated inner pane.

STANDARD FEATURES

- Custom Made to Any Size
- Insulation U-Value 1.5 W/m²
- Thermally Broken Extruded Sections
- 35.5mm sealed double glazed unit
- Pilkington 6mm toughened K polished outer plate
- Pilkington 9.5mm toughened inner plate
- 20mm Argon filled silver spacer bar

Material:	Aluminium.
Glazing:	The 35.5mm sealed double glazed unit will comprise Pilkington 6mm toughened K polished all round outer pane, 20mm Warm Edge silver spacer Bar argon filled, Pilkington 9.5mm toughened & laminated inner pane. This sealed glazed unit has a vertical centre pane U-Value of 1.5. W/m ² K.
Insulation:	The remaining part of the roof light is filled with CFC and HCFC free insulation. This combination offers a high level of thermal insulation together with excellent sound absorption properties.
Uprand:	Standard 313mm height, Reduced at 205mm height. The upstand has a purpose made flashing to accept the roof felt (supplied by others and fitted under manufacturers instructions) flush to exterior insulation.
Additional info:	1 hour fire rating can be offered as an additional option
Finish:	We recommend that a polyester powder coated finish is applied to the lid frame and upstand. Alternatively standard finish is aluminium mill finish only.

Standard Glazed Rooflight

Reduced Uprand Glazed Rooflight
