



SL STANDARD ACCESS LADDER

SL Overview

Stringers are made from size 8 structural tube (48.3 o/d) set 400mm apart with surespan safegrip serrated rungs at 250mm centres. Cage is made from 50mm x 5mm flat hoops set at a maximum 900mm centres with 6 no. vertical straps with caged nuts.

All ladders and fire escapes comply with relevant building regulations or safety standards.

STANDARD FEATURES

- Custom Made to Any Size
- Size 8 structural tube stringers (48.3 o/d)
- Safegrip serrated rungs at 250mm centres
- Standard cage for ladders over 2.5m high
- Angle of inclination 75° - 90°

Description:

SL Standard access ladder to suit a height as required

Manufacture:

Manufactured in aluminium. Consisting of 48.3mm (Size 8) stringers set 400mm apart with rungs at 250mm centres.

Stays:

Set at 2.4m centres with a cage commencing 2.5m from ground level

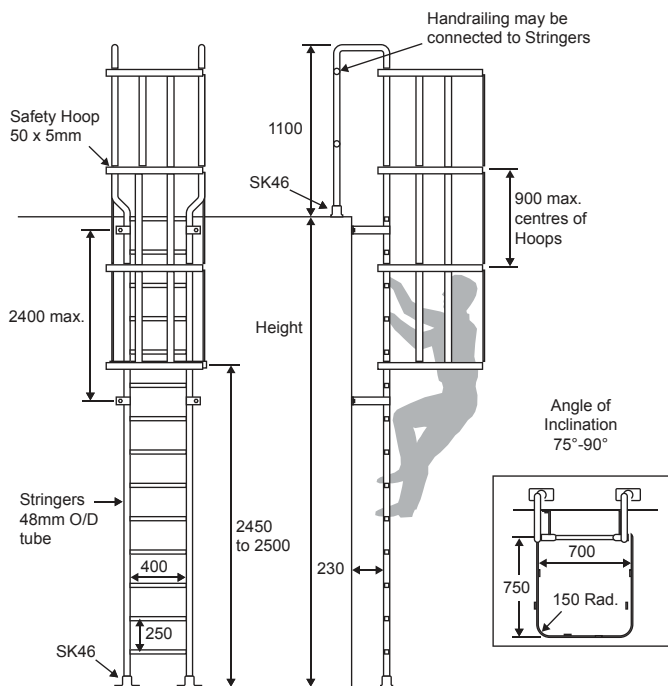
Finish:

The ladder comes self colour as standard with polyester powder coating to any standard stocked RAL colour an additional option.

Note:

All Surespan access systems and fire escapes are designed in accordance with BS5395: Part 3: 1985 and comply with relevant building Regulations.

LADDER SPECIFICATION



ALTERNATIVE APPLICATIONS

SL
Standard Ladder



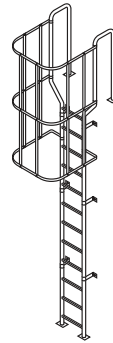
SLC
Standard Ladder
with Cage



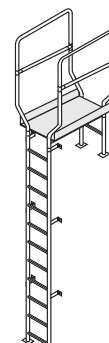
SL/WT
Standard Ladder
with Walk Through



SLC/WT
Standard Ladder
with Cage and Walk
Through



SL/PS
Standard Ladder
with Walk Through and
Parapet Steptover



SLC/RS
Standard Ladder
with Cage and Retractable
Lower Section

