

SRH/DL DOUBLE LEAF ROOF HATCH
SRH Overview

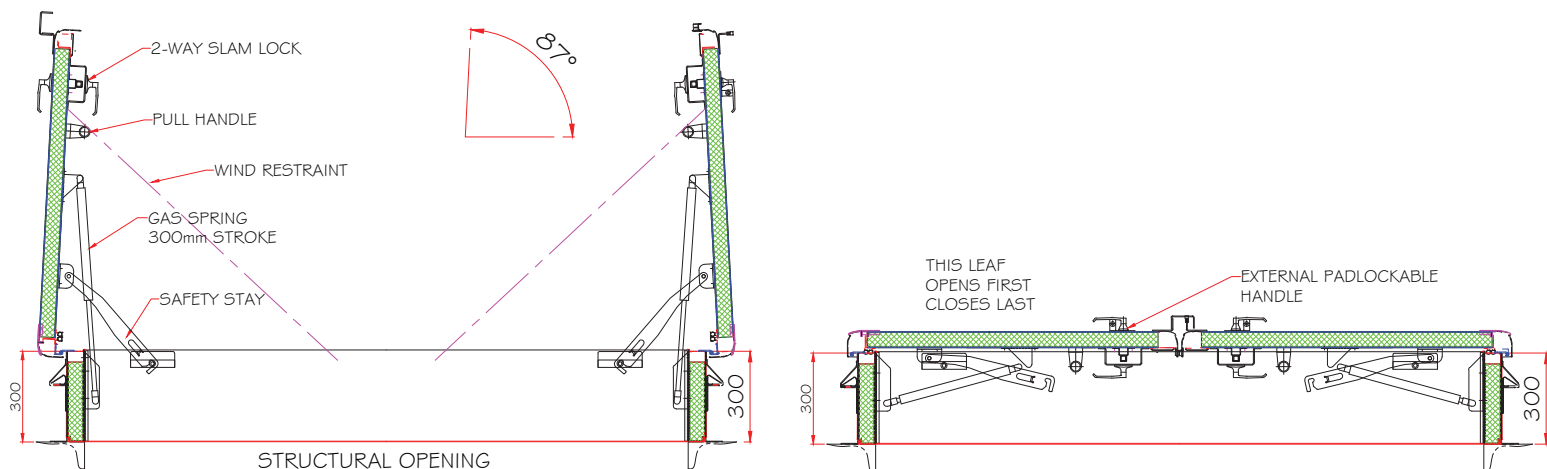
Surespan SRH double leaf roof access hatches are manufactured in aluminium with an optional polyester powder coated finish.

The gas spring assisted opening lid is supported by heavy-duty hinges and features an integral 'wrap over' edge, incorporating double unbroken seals.

STANDARD FEATURES

- Custom made to any size
- Gas spring assisted operation
- Rigid 2.5mm aluminium weather tight cover
- Insulation U-value 0.43 W/m²K
- Hold open stay - against accidental closure
- Rw 25dB Acoustic Rated

Material:	Cover and upstand manufactured in aluminium.									
Cover:	Double leaf cover supported by heavy duty hinges and features an integral 'wrap-over' edge, incorporating double unbroken seals.									
Cover Insulation:	The lid is filled with 50mm CFC and HCFC free polyisocyanurate insulation which offers 0.43 W/m ² K Offering GWP (Global Warming Potential) of 3 and a ODP (Ozone depletion potential) of 0.									
Upstand:	200mm in height and manufactured in aluminium. The Upstand has a purpose made flashing to accept the roof membrane (supplied by others and fitted under manufacturers instructions) flush to exterior insulation.									
Locking:	The lid is held shut by a heavy duty grade 316 stainless steel Cablock and in the interest of safety, can only be opened from the inside unless otherwise specified. Other locking options are available on request.									
Operation:	Complete with gas spring assisted opening to ensure the minimum amount of effort to open the double skinned aluminium lid. The lid will have the provision to lock in the open position with a safety hold open stay to prevent against accidental closure.									
Finish:	The unit comes self colour as standard or can be provided polyester powder coated to any standard stocked RAL colour as an additional option.									
Options:	<table border="0" style="width: 100%;"> <tr> <td style="width: 33%;">Optional Thermal Break</td> <td style="width: 33%;">Up to 3 hours Fire Resistance</td> <td style="width: 33%;">Concealed Gas Spring</td> </tr> <tr> <td>SureGuard Handrail</td> <td>Sound Reduction to 45dB</td> <td>Polyester powder coated</td> </tr> <tr> <td>Electric Operation</td> <td>Rain & Wind Sensors</td> <td>Retractable handhold</td> </tr> </table>	Optional Thermal Break	Up to 3 hours Fire Resistance	Concealed Gas Spring	SureGuard Handrail	Sound Reduction to 45dB	Polyester powder coated	Electric Operation	Rain & Wind Sensors	Retractable handhold
Optional Thermal Break	Up to 3 hours Fire Resistance	Concealed Gas Spring								
SureGuard Handrail	Sound Reduction to 45dB	Polyester powder coated								
Electric Operation	Rain & Wind Sensors	Retractable handhold								



SRH/DL**STANDARD ROOF HATCH**