

Assembly Instructions SUREDOME Ventilation





Notes

To ensure optimum operation and long life comply with the following instructions. Please check the delivery for any damage or missing parts. No liability can be accepted for damage caused by improper handling.

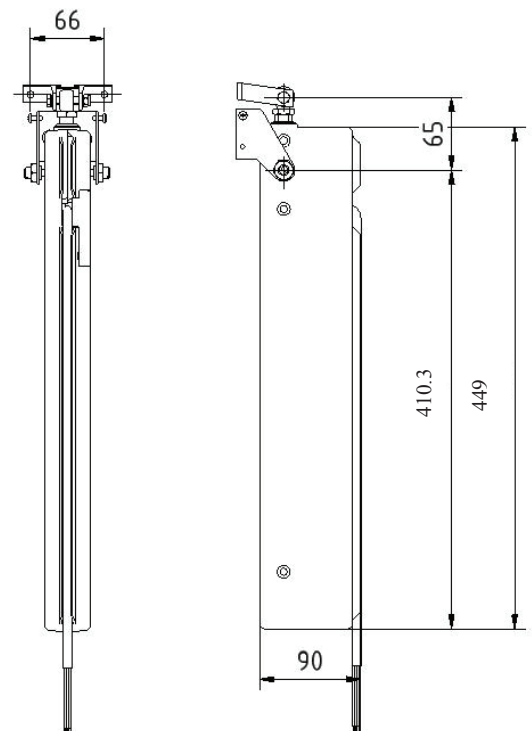
The SUREDOME Ventilation is supplied with a 300mm electric motor unless otherwise specified.

The opener is protected against splash water in a plastic housing. The opener is maintenance free. To prevent overloading, the opener is equipped with a electric overload protection.

Tandem operation is possible without additional control modules.

Opener Specification

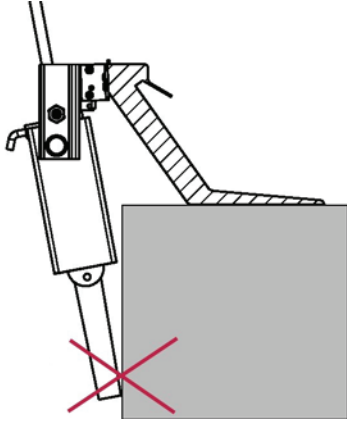
Opener	PRIM-AIR 74041
Voltage	230v / 50Hz
Input	50 W / 40 VA
Protection	IP54
Operating Mode	S 3-3 min.
Maximum Ambient temp	60c
Lifting Capacity	500 N
Closing Force	200 N
Lifting Speed	6 mm/s +/-1
Stroke Length	300mm
Max Locking Force	4000 N
Cables	5 Wires; 0.75mm, 1.5m
Color	RAL 9010
Weight	1.6 Kg



Safety

Before work begins, it is essential that a safe means of access is provided for personnel installing the rooflight, and comply with health and safety regulations.

Please note each opener needs to have sufficient area to open. Damage can be caused to the rooflight and mechanism if obstructed by the building or any obstacle



Before installation it must be checked whether the substructure is sufficiently stable.

Minimum requirement:

- Sufficient load bearing roof structure according to regulations

Tools needed for the Rooflight assembly:

- Set of Phillips screwdrivers
- Hammer.

Warning:

For rooflights larger than the nominal size of 1200 x 1200mm, 2 people are required for installation.



Assembly

1. Fasten upstand according to the individual attachment points on Fig 1 (250mm). This distance is sufficient for the center of the roof areas, in areas with higher wind loads, additional measures may be required. Per fixing point a load of 1500 N is achieved.

2. Upstand is to be fixed with roof cladding according to the required standards. (Fig 2)

3. Remove temporary stacking spacers (1) on Rooflight the direction of arrow. (Fig. 3)

4. Locking bolt consists of:

- Head screw M8 (2) and
- Plastic covering (3)

Screw into connection plate. (4) (Fig 4)

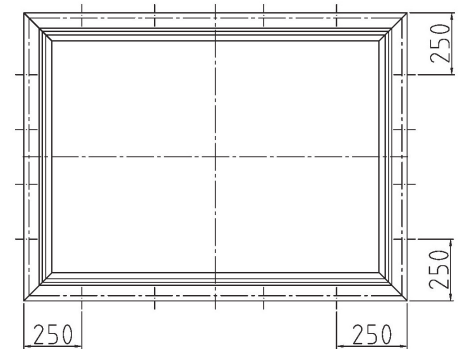
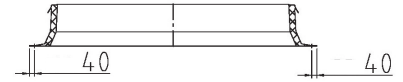


Fig 1.

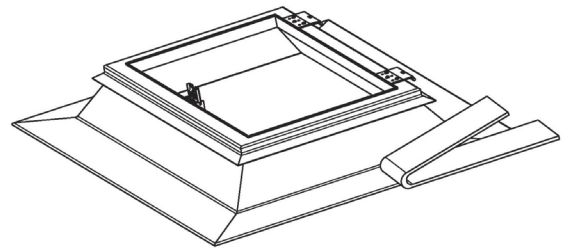


Fig 2.

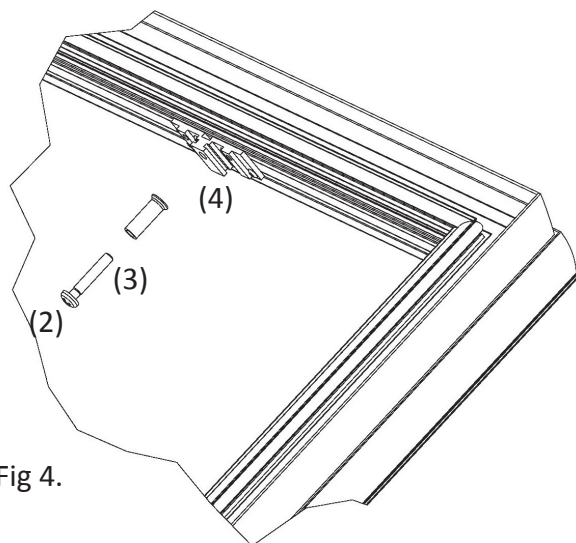


Fig 4.

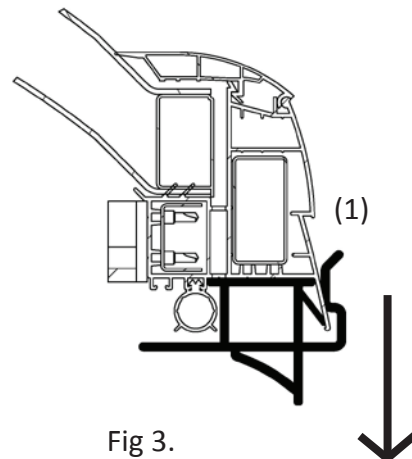


Fig 3.

Opener Assembly

See page 7 for diagram of individual parts

1. Press the lever (1) to the left and release the latch lock (2) (fig 5)

2. Loosen the mounting bolt (3) (Fig. 5).

3. Loosen the M8 cross-head screw (5) and remove plastic sleeve. (4) (Fig. 5).

4. Screw the opener holding bracket (7) into the base of the Rooflight bracket (8) using the screws (6). With the M4 x 70 (9) screw and self locking nut (9), screw into the base. Adjustments to the opening can be made using the eye bolt. Ensure the opener is in the retracted position with the limit switch off. (Fig. 6).

5. Fix the bearing block (11) into the top of the stop plate (12) with the M6 x 11 screws. (13) (Fig. 6).

6. Ensure there is sufficient swivel range for the opener. Adjust using the eye bolt. (Fig. 6).

7. Once the opener is installed, check it is functioning correctly.

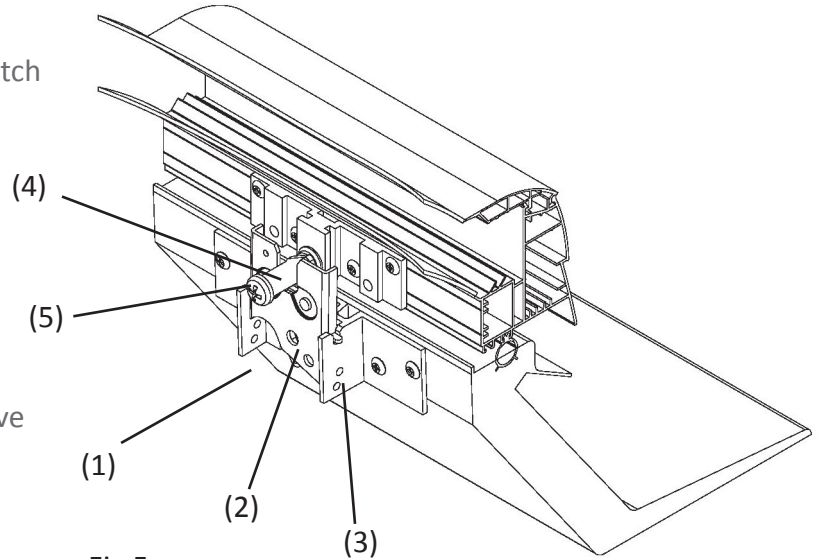


Fig 5.

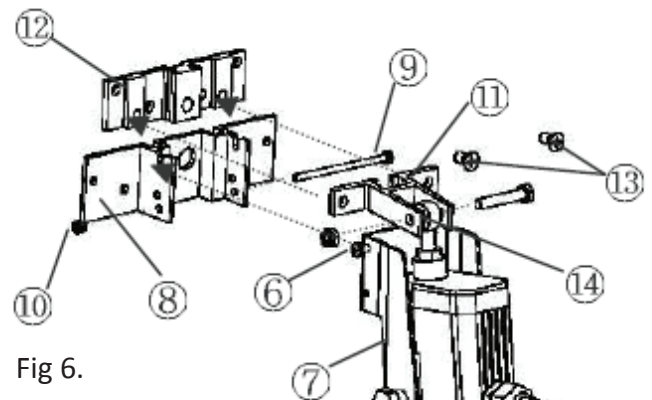
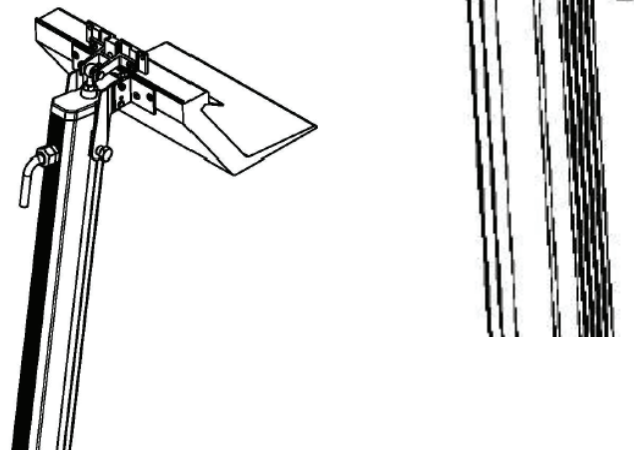


Fig 6.



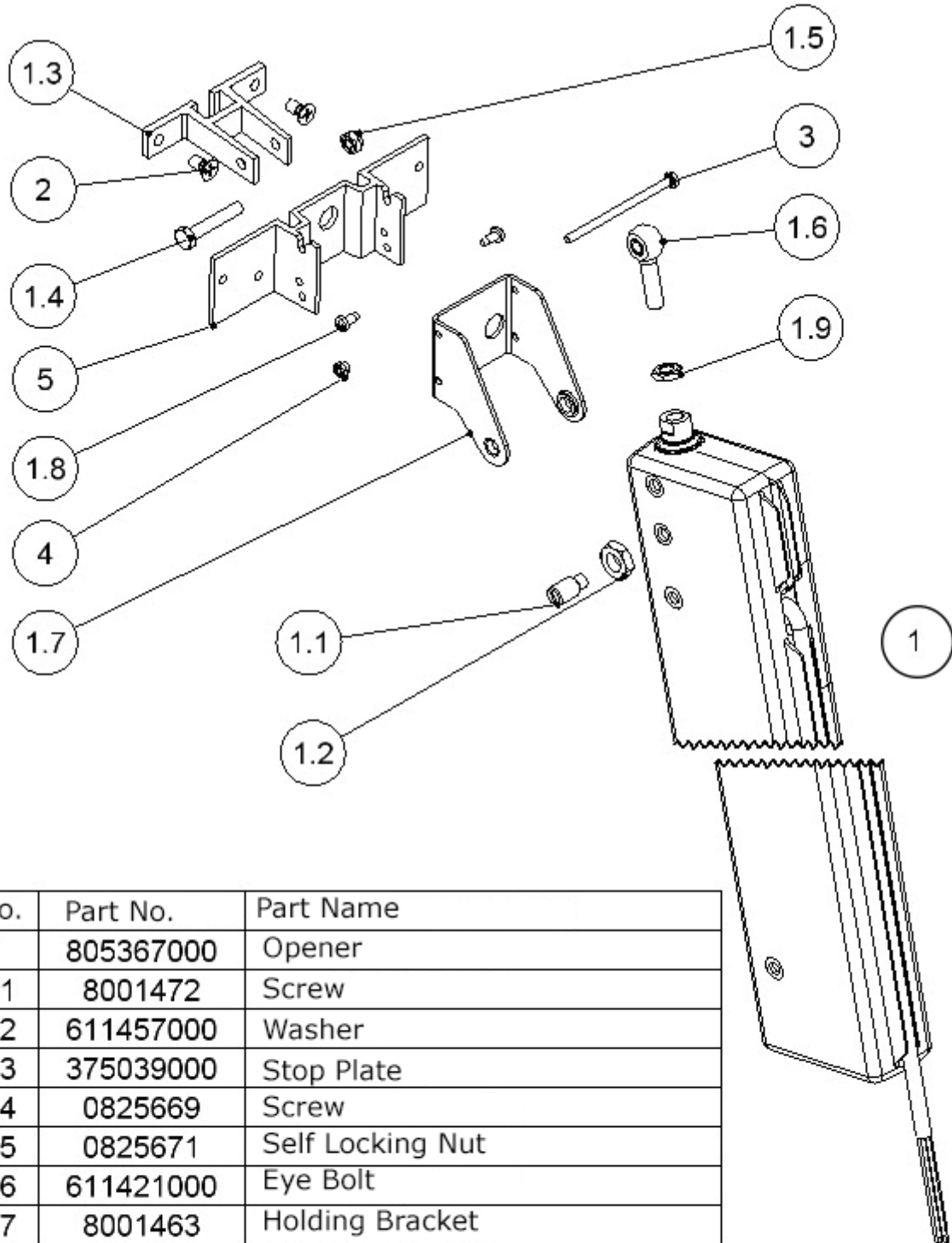


Maintenance & Care

Skylights must be checked once a year. Pay attention to the following:

- Visible damage to the dome, the frame or the roof connection,
- Check hinges and optionally lubricate with appropriate lubricant (Such as silicone spray)
- Check the opener functions correctly
- Check all mounting screws on the opener for tightness and tighten if necessary,
- Check electric lines with regards to damage. Opener should be replaced if there is visible damage

The Rooflight should be cleaned thoroughly inside and out at least once a year (depending on location and as needed several times a year). Normally warm soapy water and a damp cloth is sufficient. Use a gentle cleanser if soiling is severe.



No.	Part No.	Part Name
1	805367000	Opener
1.1	8001472	Screw
1.2	611457000	Washer
1.3	375039000	Stop Plate
1.4	0825669	Screw
1.5	0825671	Self Locking Nut
1.6	611421000	Eye Bolt
1.7	8001463	Holding Bracket
1.8	0905918	M6 x 11
1.9	0902343	Washer
2	3011902	M8 Screw
3	3016543	M4 x 70
4	0812195	Washer
5	374968000	Connection Plate