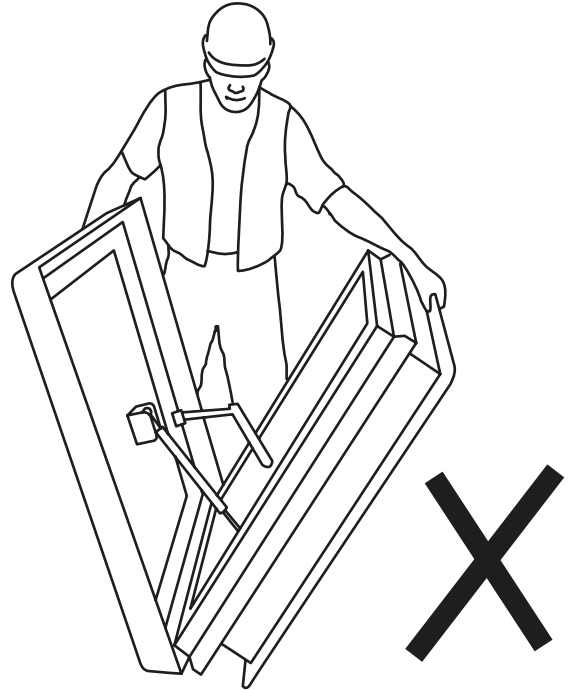
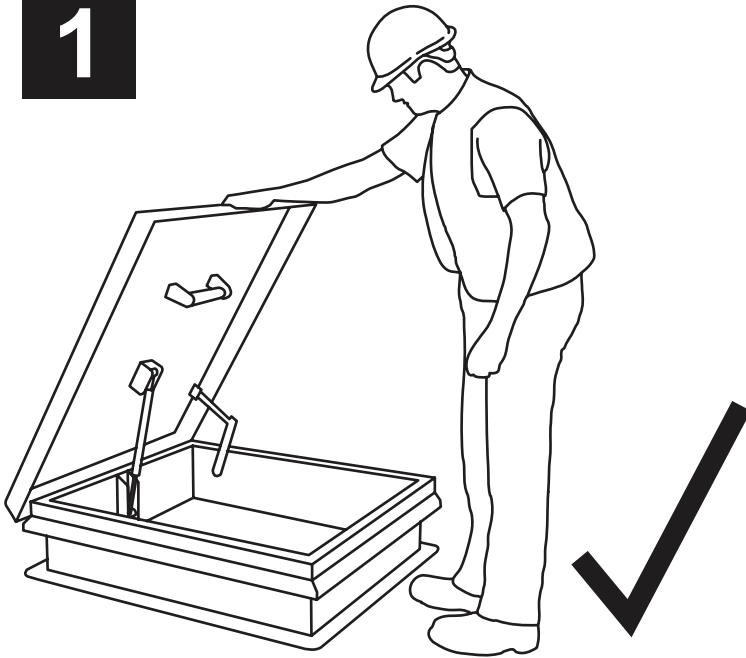




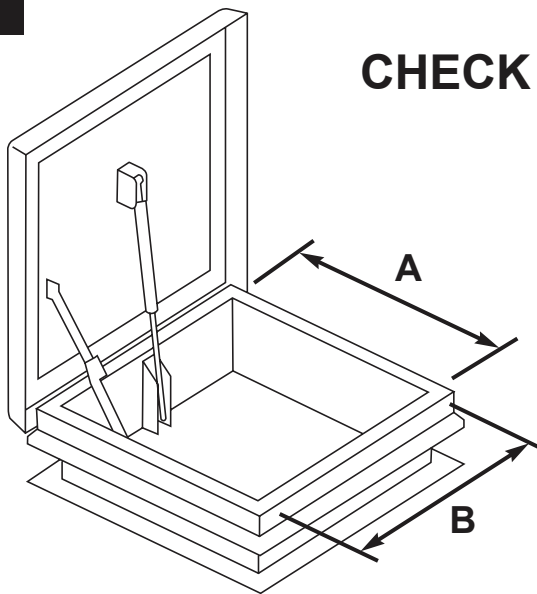
Handling/Fitting Instructions for SRH Roof Hatch

1

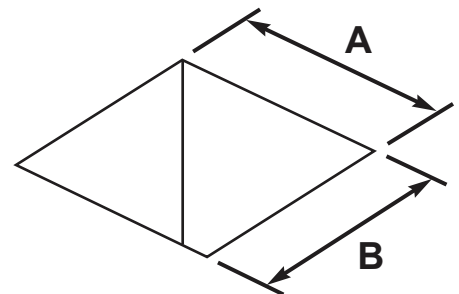


2

**CHECK CLEAR OPENINGS
MATCH**



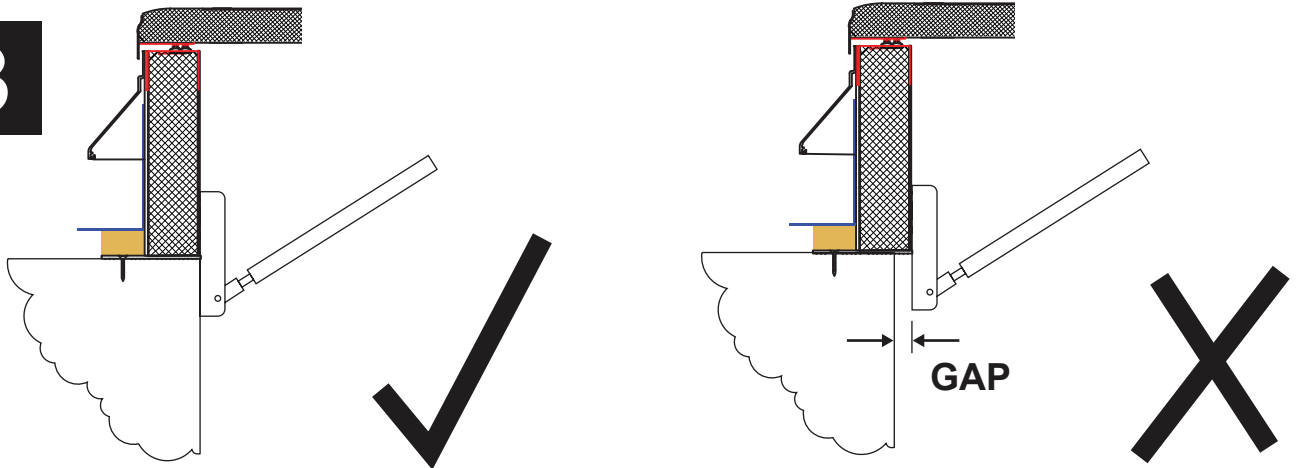
=





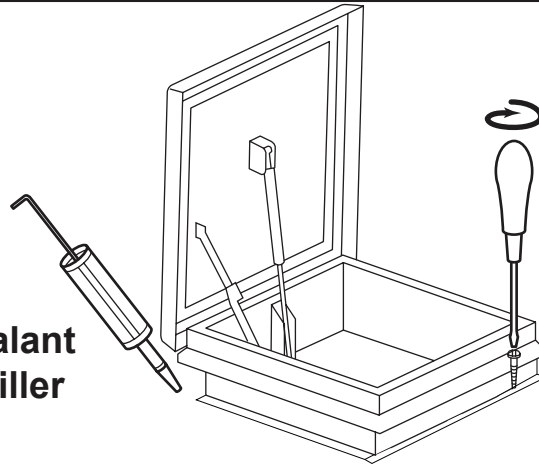
SURESPAN

3



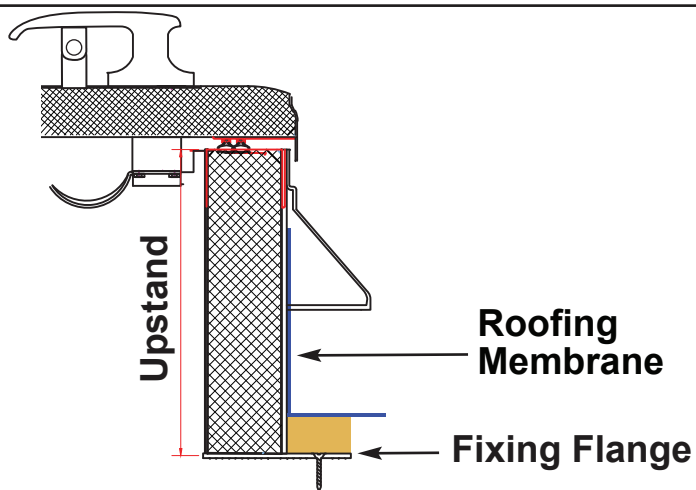
4

Mastic Gun for Sealant or Fire Resistant Filler



8mm Screws or 8mm Anchors for Fire Rated Hatches

5



For further information contact:
Surespan Limited
Leamore Close
Leamore Enterprise Park
Walsall
West Midlands
WS2 7NL
Tel: +44 (0)1922 711185
Fax: +44 (0)1922 714099
Email: sales@surespancovers.com



SURESPAN